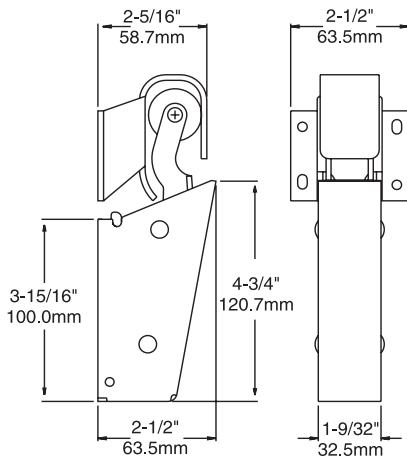




ITEM # 1095



**1095**



Patent No. D390,442

**1095 SPRING ACTION DOOR CLOSER**

- Operates by direct force adding to natural swing momentum of closing door.
- Designed to overcome slowing action of gaskets and air pressure.
- Provides fast, full closure for heavy walk-in doors.
- Easy installation; simply snaps onto concealed mounting plate.
- Simple spring mechanism gives long, trouble-free life.
- Patented solid steel housing and bend-resistant hook assure long wear in heavy use.
- Rubber roller ensures quiet operation.
- Ideal complement for Kason Walk-in door hardware to provide self-closing doors.

**SPECIFICATIONS**

**MATERIAL:**  
Steel housing and strike.

**FINISH:**  
Bright chrome.

**MOUNTING HOLES:**  
Drilled for No. 10 (5.0mm) screws.

**PACKAGING:**  
Closers and hooks packaged separately; 24 to carton.

**WEIGHT:**  
See order information.

Model No.	Item	Wgt/Carton
1095000013	Closer	30.0 lb. (13.6 kg)
1094000025	Hook for 1095, Flush (0.0 mm)	9.5 lb. (4.3 kg)
1094000029	Hook for 1095, 1-1/8" (28.6 mm) Offset	12.3 lb. (5.5 kg)



Patent No. D310,952

### 1094 SURECLOSE™ HYDRAULIC DOOR CLOSER

- Powerful gas-loaded hydraulic cylinder guarantees controlled closure.
- Exposed and concealed mounting models.
- Patented solid steel enclosed housing and bend-resistant hook assure long wear in heavy use.
- Extra-wide hook ensures roller pick-up and overcomes alignment problems.
- Life-cycle tested to operate reliably even after a half-million closures.
- Easily replaces any conventional door closer.
- Perfect complement for Kason Walk-in hinges and latches where self-closing doors with controlled closure are needed.

### 1094S DUAL-SPEED CLOSER

All the features of the 1094 SureClose, with the additional benefit of a specially developed snubbing mechanism. Initial fast closing action allows unit to withstand slamming force, while secondary, slower action provides gradual closing to lessen final impact.

#### SPECIFICATIONS

**MATERIAL:**  
Heavy gauge steel.

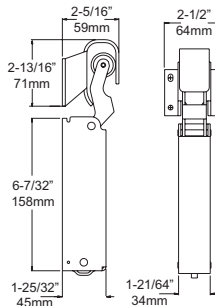
**FINISH:**  
Polished or brushed chrome.

**MOUNTING:**  
Holes drilled for No. 10 (5.0 mm) screws.

**PACKAGING:**  
Closers and hooks packaged separately; 24 to a carton.

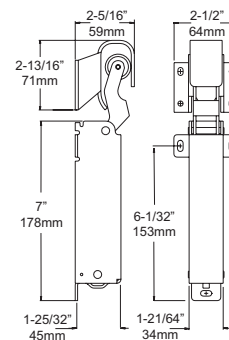
**WEIGHT:**  
See order information.

**ITEM # 1094  
CONCEALED MOUNTING** NSF®



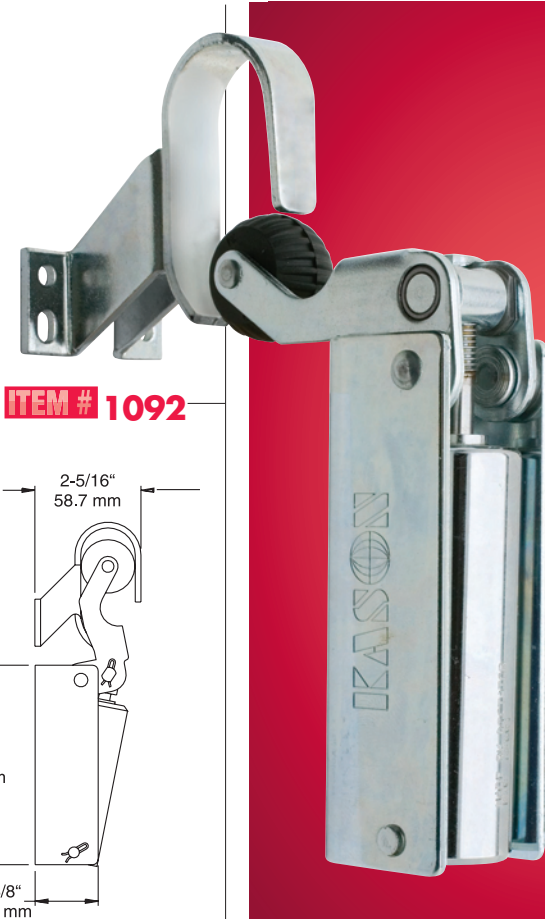
**CONCEALED**

**ITEM # 1094  
EXPOSED MOUNTING** NSF®



**EXPOSED**

Model No.	Item	Finish	Wgt./Carton
1094000002	Closer, Exposed Mounting	Brushed Chrome	35 lb. (15.6kg)
1094000003	Closer, Exposed Mounting	Polished Chrome	35 lb. (15.6kg)
1094000012	Closer, Concealed Mounting	Brushed Chrome	35 lb. (15.6kg)
1094000013	Closer, Concealed Mounting	Polished Chrome	35 lb. (15.6kg)
1094S00003	Dual Closer, Exposed Mounting	Polished Chrome	35 lb. (15.6kg)
1094S00012	Dual Closer, Concealed Mounting	Brushed Chrome	35 lb. (15.6kg)
1094S00013	Dual Closer, Concealed Mounting	Polished Chrome	35 lb. (15.6kg)
1094000024	Hook for 1094 Flush (0.0mm)	Brushed Chrome	9.5 lb. (4.3kg)
1094000025	Hook for 1094 Flush (0.0mm)	Polished Chrome	9.5 lb. (4.3kg)
1094000028	Hook for 1094. 1-1/8" (28.6mm) Offset	Brushed Chrome	12.3 lb. (5.5kg)
1094000029	Hook for 1094. 1-1/8" (28.6mm) Offset	Polished Chrome	12.3 lb. (5.5kg)



**ITEM # 1092**



**ITEM # 1093**



**1092 HYDRAULIC DOOR CLOSER**

- Brakes movement, shuts door noiselessly and keeps it closed.
- Recloses door opened as result of temperature-pressure build up.
- Long-wearing.

**SPECIFICATIONS**

<b>MATERIAL:</b> Steel.	<b>MOUNTING HOLES:</b> Drilled for No. 10 (5.0mm) screws.	<b>WEIGHT:</b> Approx. 14.8 lb. (6.7kg) per carton.
<b>FINISH:</b> Kasonized.	<b>PACKAGING:</b> 8 per carton.	

Model No.	Item
1092000004	Closer w/Flush (0.0 mm) Hook
1092000008	Closer w/1-1/8" (28.6 mm) Offset Hook

**1093 HYDRAULIC DOOR CLOSER**

- Quiet, efficient hydraulic closer.
- White plastic cover adds style.
- Replaces competitive models.

**SPECIFICATIONS**

<b>MATERIAL:</b> Steel.	<b>COVER:</b> White plastic.	<b>PACKAGING:</b> 10 per carton.
<b>FINISH:</b> Chrome.	<b>MOUNTING HOLES:</b> Drilled for No. 10 (5.0mm) screws.	<b>WEIGHT:</b> Approx. 13 lb. (5.9kg) per carton.

Model No.	Item
1093000004	Closer w/Flush (0.0 mm) Hook
1093000008	Closer w/1-1/8" (28.6 mm) Offset Hook

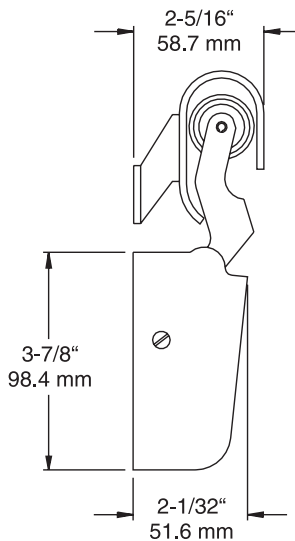
## 1091 SPRING ACTION DOOR CLOSER

- Automatically closes door from 10° of closed position.
- Easy installation.
- Furnished with gray polystyrene cover.

### SPECIFICATIONS

<b>MATERIAL:</b> Steel with polystyrene cover.	<b>OFFSETS:</b> See ordering information.	<b>PACKAGING:</b> 12 per carton, complete with hooks.
<b>FINISH:</b> Kasonized.	<b>MOUNTING:</b> Housing drilled for No. 12 (5.5mm) screws. Strike drilled for No. 10 (5.0mm) screws.	<b>WEIGHT:</b> Approx. 12 lb. (5.4kg) per carton.

Model No.	Item	Finish
1091000004	Closer w/Flush (0.0 mm) Hook	Kasonized
1091000008	Closer w/1-1/8" (28.6 mm) Offset Hook	Kasonized



**ITEM # 1091**



Patent No. D268,322

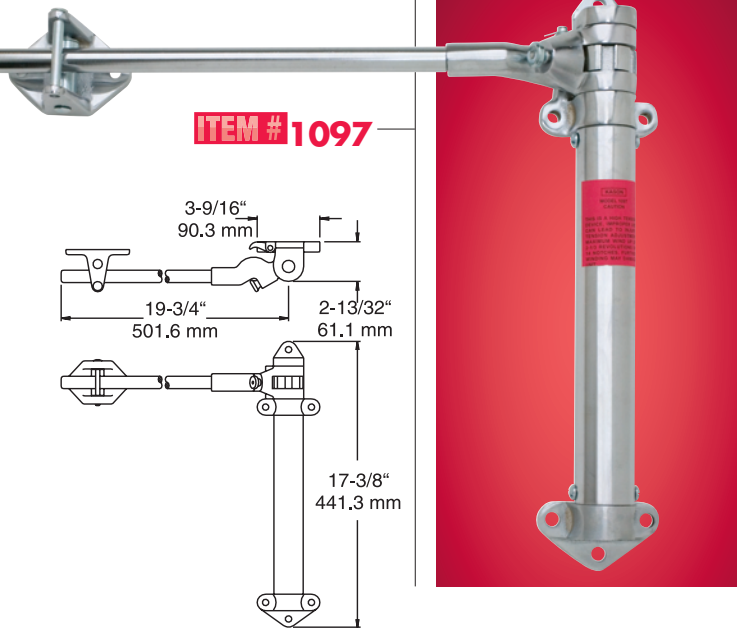
## 1097 SPRING ACTION DOOR CLOSER

- High tension closer recommended for doors exceeding 200 lb. (90.7kg).
- Spring tension can be set to close door under a wide range of conditions.
- Roller rod guide assures smooth operation with either rise or fixed pin hinges.
- Invert for left-hand applications.

### SPECIFICATIONS

<b>MATERIAL:</b> Malleable iron with steel rod and tube.	<b>OFFSET:</b> 7/8" (22.2mm) maximum without shimming.	<b>PACKAGING:</b> 1 per carton.
<b>FINISH:</b> See order information.	<b>MOUNTING:</b> Guide drilled for 1/4" (6.0mm) screws. Closer drilled for 3/8" (9.0mm) screws. Mount just above lower hinge for best results.	<b>WEIGHT:</b> Approx. 13.5 lb. (6.1kg) per carton.

Model No.	Item	Finish
1097000004	Closer	Kasonized
1097000008	Closer	Chrome
1097000012	Spring Cartridge Kit	Kasonized
1097000016	Spring Cartridge Kit	Chrome



**ITEM # 1097**

### CAUTION:

For operator safety, Model No. 1097 door closer is intended to be used where high force is necessary to close heavy doors. Mount door closer as low as possible.

